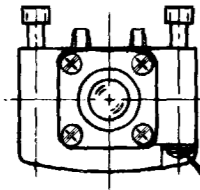
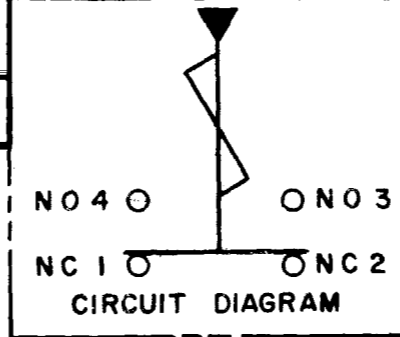


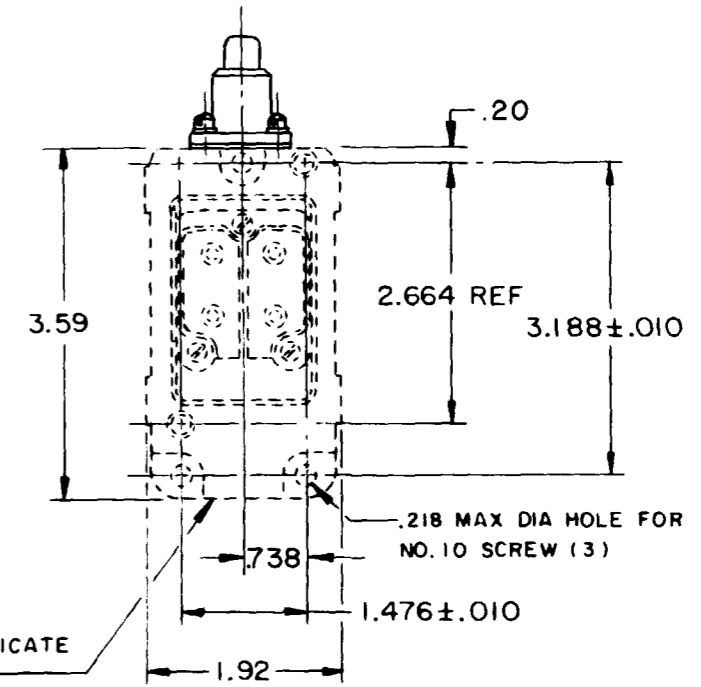
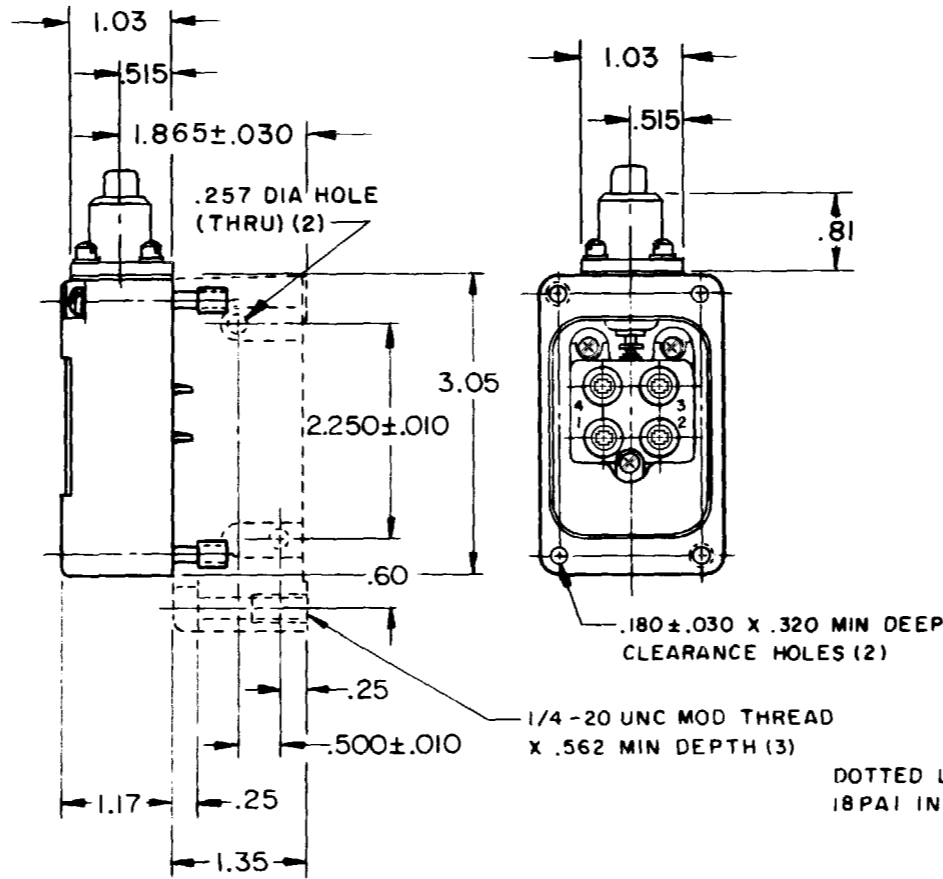
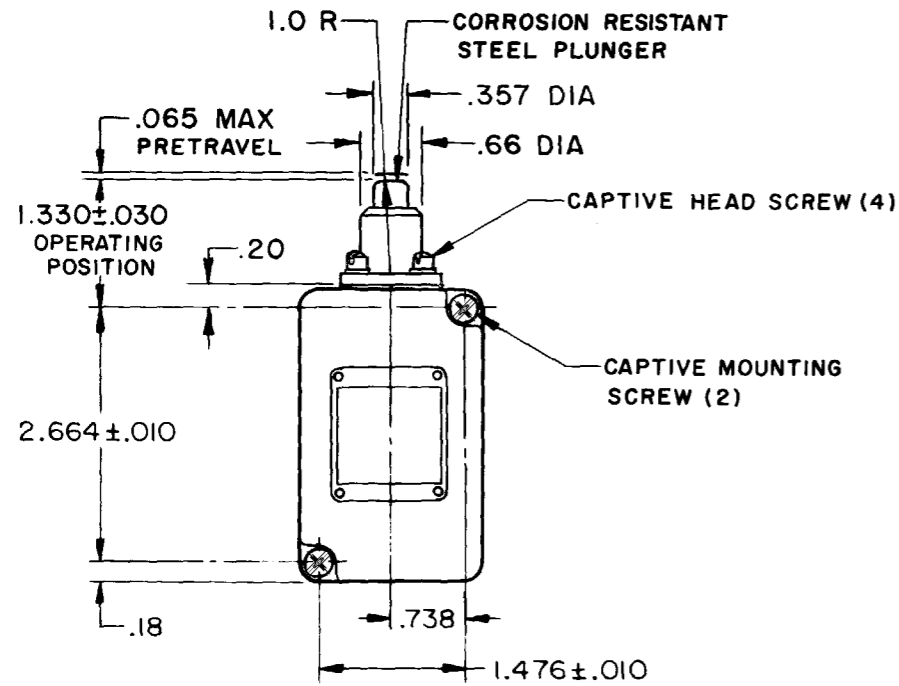
MICRO SWITCH
a Honeywell Division
FED. MFG. CODE 91929

SWITCH-ENCLOSED

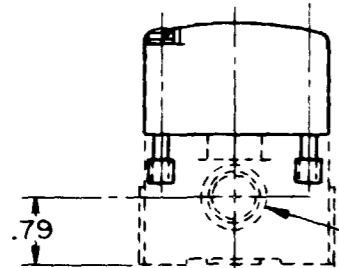
CATALOG LISTING
202LS1



CAPTIVE MOUNT
SCREW (2)



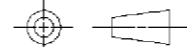
DOTTED LINES INDICATE
18PDI IN PLACE



1/2-14 NPT THREAD

THIS DRAWING COVERS A PROPRIETARY ITEM AND IS THE PROPERTY OF MICRO SWITCH, A DIVISION OF HONEYWELL. THIS DRAWING IS NOT TO BE COPIED OR USED WITHOUT THE APPROVAL OF MICRO SWITCH

THIRD ANGLE PROJECTION



CHARACTERISTICS

OPERATING FORCE ----- 7 LB MAX
RELEASE FORCE ----- 2 LB MIN
DIFFERENTIAL TRAVEL ----- .020 MAX
OVERTRAVEL ----- .250 MIN
RELEASE TRAVEL ----- .015 MIN
SWITCH-BASIC REPLACEMENT ----- 2MN6

ELECTRICAL DATA

CONTACT ARRANGEMENT
(SEE CIRCUIT DIAGRAM)
10A-120, 240, OR 480 VAC, 1/3 HP - 120 VAC
3/4 HP - 240 VAC; 0.8A - 115 VDC; 0.4A - 230 VDC
.1A - 550 VDC
PILOT DUTY: 600 VAC MAX

SCALE FULL

DO NOT SCALE PRINT

UNLESS OTHERWISE SPECIFIED
TOLERANCES ARE

ONE PLACE (.01) ±.030
TWO PLACE (.00) ±.015
THREE PLACE (.000) ±.005
ANGLES ±

WEIGHT

CATALOG LISTING
202LS1

ISSUE
6

REPLACES
PAGE 1 OF 1
RELEASE NO.

CHECK

REVISIONS
A C078332
GJW
2 MAY 95

CHECK

8 MAY 95

CHECK

JAF

CHECK

2 MAY 95

DRAWN

GJW

FORMTEK